

INSTALLATION INSTRUCTIONS

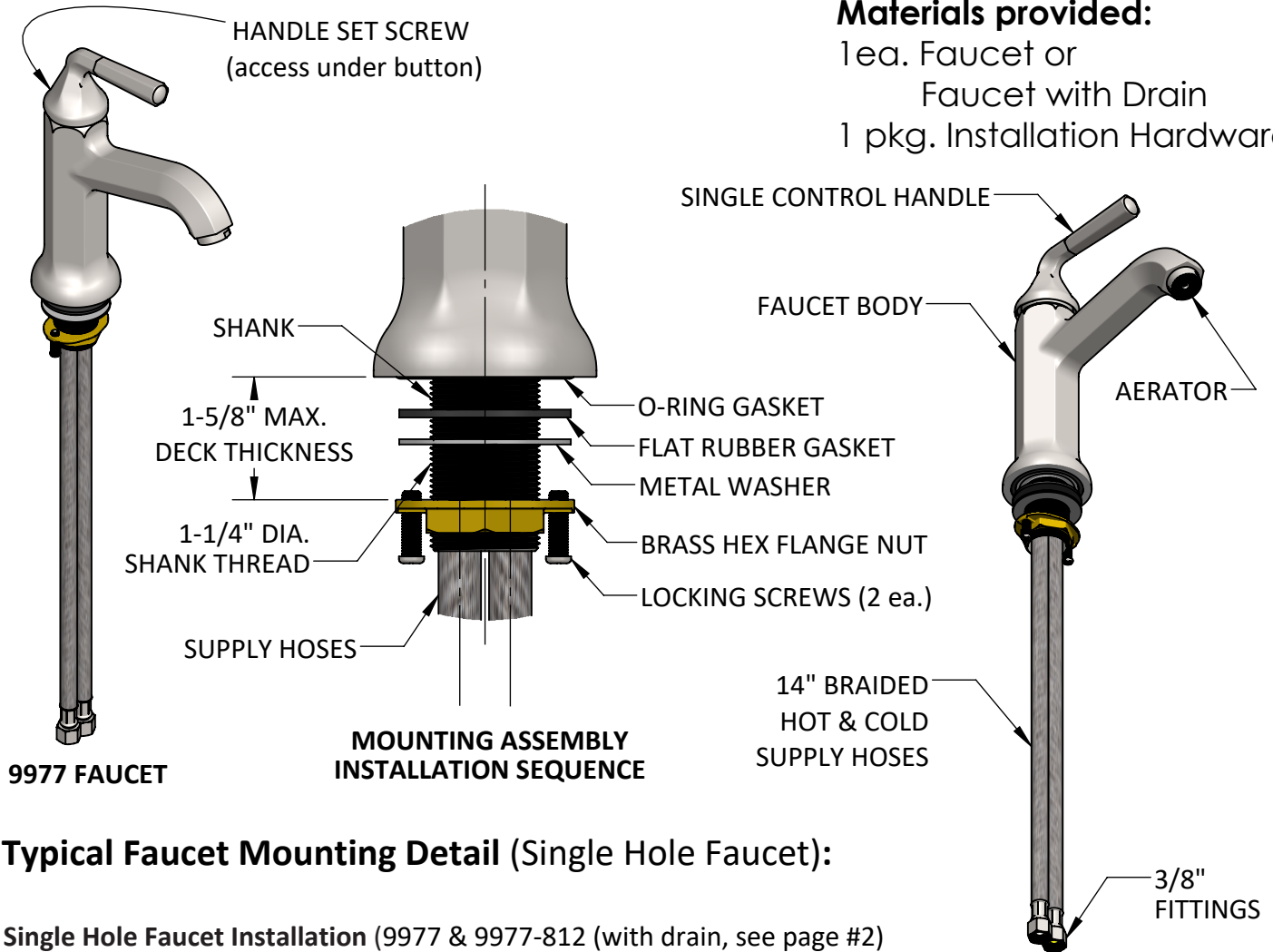
Hex Single Hole Faucet & Single Hole Faucet with Drain

Part #'s 9977 & 9977-812 (with drain, see page #2)

JACLO
Confidence from start to finish.™

Materials provided:

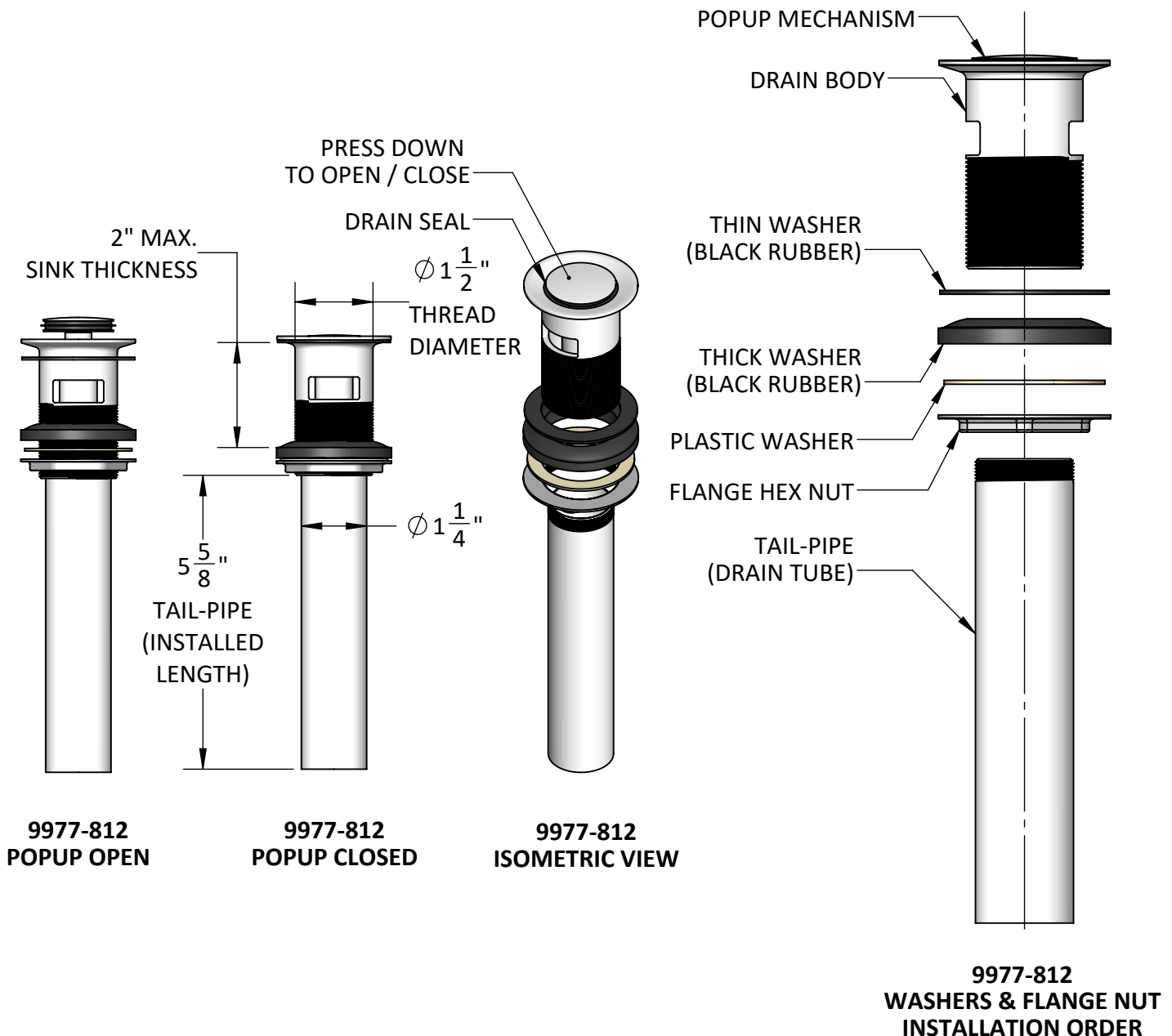
1 ea. Faucet or
Faucet with Drain
1 pkg. Installation Hardware



Typical Faucet Mounting Detail (Single Hole Faucet):

Single Hole Faucet Installation (9977 & 9977-812 (with drain, see page #2))

- Step-1:** Determine desired location of the Faucet, and mark the mounting location. If not already cut, drill a 1-1/4" (mimum) diameter hole in the countertop.
- Step-2:** Verify the O-Ring Gasket under the Faucet Body is intact and seated into the faucet body. Ensure the surface area around the countertop or sink hole is clean and smooth, then set the faucet with shank and supply hoses through the hole.
- Step-3:** Reference the under-counter (or under-sink) **Mounting Assembly Installation Sequence** illustration shown above: Under the counter (or sink), slide on the Flat Rubber Gasket, then the Metal Washer and finally, thread the Hex Flange Nut until tight (Faucet should be firmly set, not rotate or wiggle).
- Step-4:** Tighten the two Locking Screws once the final position of the Faucet is complete.
- Step-5:** Attach the Hot and Cold Supply Hose fittings to supply inlets, turn on water, check all connections for leakage, and adjust the fittings as necessary.
- Step-6** Remove the Aerator, flush hot and cold water for a few minutes, then carefully re-install the Aerator.



Mounting Detail (9977-812 drain accessory):

- Step-1:** Disassemble Tail-Pipe to remove the Flange Nut, all washers (except the top Thin Rubber Washer).
- Step-2:** Hand-thread the Tail-Pipe into the Drain Body until tight (apply appropriate sealant to the Tail-Pipe threads prior to installing).
- Note:** Tail-Pipe may be cut to length, and deburred to fit existing P-Trap or drain plumbing.
Caution: Be careful not to damage the threads on the opposite end of the Tail-Pipe.
- Step-3:** Place the Drain Body Ass'y (with Thin Rubber Washer under the flange) through the sink drain hole.
- Step-4:** Slide on the Thick Rubber Washer (oriented as shown above), then the Plastic Washer, and carefully thread on the Flange Hex Nut, in that order as shown in the picture above.
- Step-5:** Tighten the Flange Hex Nut until the Drain Assembly is secure.
- Step-6:** Connect to P-Trap plumbing and check for leaks, adjust as necessary.

To learn more about JACLO's warranty, please visit [**jaclo.com**](http://jaclo.com)